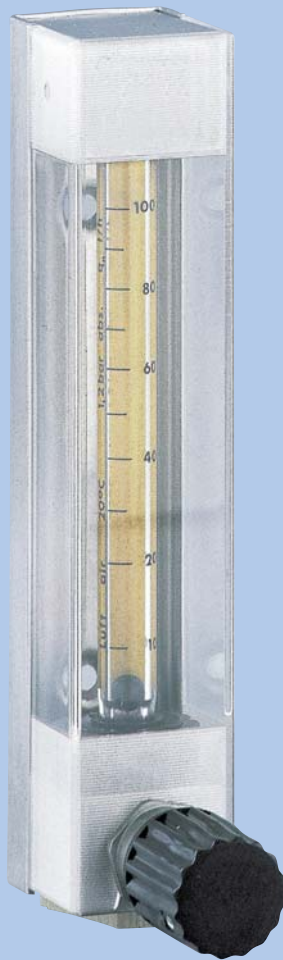


## Variable Area Flow Meter Model FD



- ◆ Measuring Range:  
Water 0.25 - 2.5...16 - 160 L/h  
Air 6 - 60...250 - 2500 L<sub>N</sub>/h
- ◆ Measuring Accuracy:  $\pm 5\%$  f. s.
- ◆  $p_{\max}$  16 bar;  $t_{\max}$  100°C
- ◆ Connection:  $\frac{1}{4}$  NPT (female)
- ◆ Material: Stainless Steel 1.4401

**Cost Effective  
Measurement Technology**

INTERIN GmbH  
Nordring 24  
D-65719 Hofheim/Ts.  
Tel: +49 (0)6192 958 612-70  
Fax: +49 (0)6192 958 612-99  
E-Mail: [info@interin.de](mailto:info@interin.de)  
Internet: [www.interin.de](http://www.interin.de)

# Variable Area Flow Meter Model FD

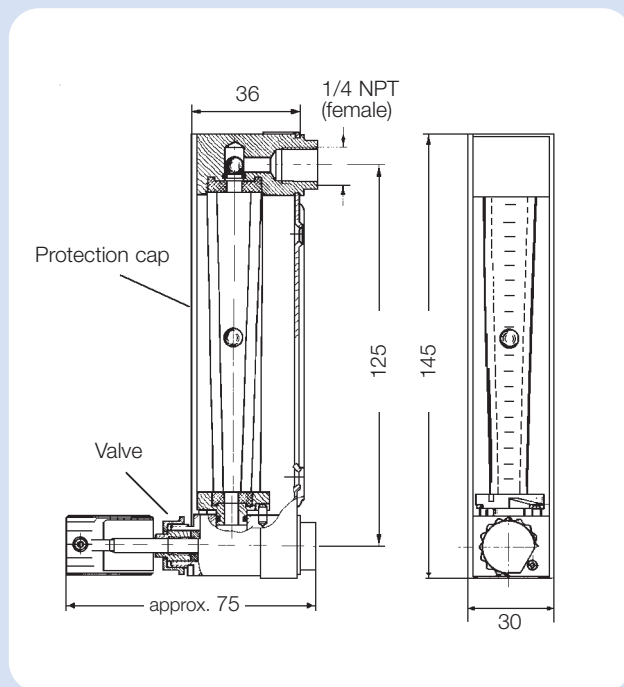
No responsibility taken for errors; subject to change without prior notice. 08 / 2007

## Method of Operation

The INTERIN flow meters for very low flows model FD for liquids and air operate on the suspended float principle: that is, the installation position is vertical and the direction of flow is from bottom to top.

The instruments have been designed as simple and thus economical measuring systems. The float is a ball, whereby the indication point is the upper edge of the ball. A needle valve is fitted as standard.

## Dimensions



## Technical Details

Housing:	Stainless steel 1.4401
Connection:	1/4 NPT (female)
Float:	Stainless steel
Measuring tube:	Borosilicate glass
Float stop:	PTFE
Protection cover:	Acrylic glass
Sealing:	FPM
Max. temperature:	+ 100 °C
Max. pressure:	16 bar
Accuracy:	± 5 % f. s.
Mounting position:	vertical

## Applications

- ◆ Plant construction
- ◆ Mechanical construction
- ◆ Environmental Technology
- ◆ Cooling circuits

## Order Details (Example: FD-1230L)

Measuring Range Water		Measuring Range Air		Connection
L/h	Order No.	L <sub>N</sub> /h (20 °C, 1 bar abs.)	Order No.	
0.25 - 2.5	FD-1230	6 - 60	FD-1230L	1/4 NPT
0.5 - 5	FD-1235	10 - 100	FD-1235L	1/4 NPT
1 - 10	FD-1240	16 - 160	FD-1240L	1/4 NPT
1.6 - 16	FD-1245	25 - 250	FD-1245L	1/4 NPT
2.5 - 25	FD-1250	40 - 400	FD-1250L	1/4 NPT
4 - 40	FD-1255	63 - 630	FD-1255L	1/4 NPT
6 - 60	FD-1260	100 - 1000	FD-1260L	1/4 NPT
10 - 100	FD-1265	160 - 1600	FD-1265L	1/4 NPT
16 - 160	FD-1270	250 - 2500	FD-1270L	1/4 NPT