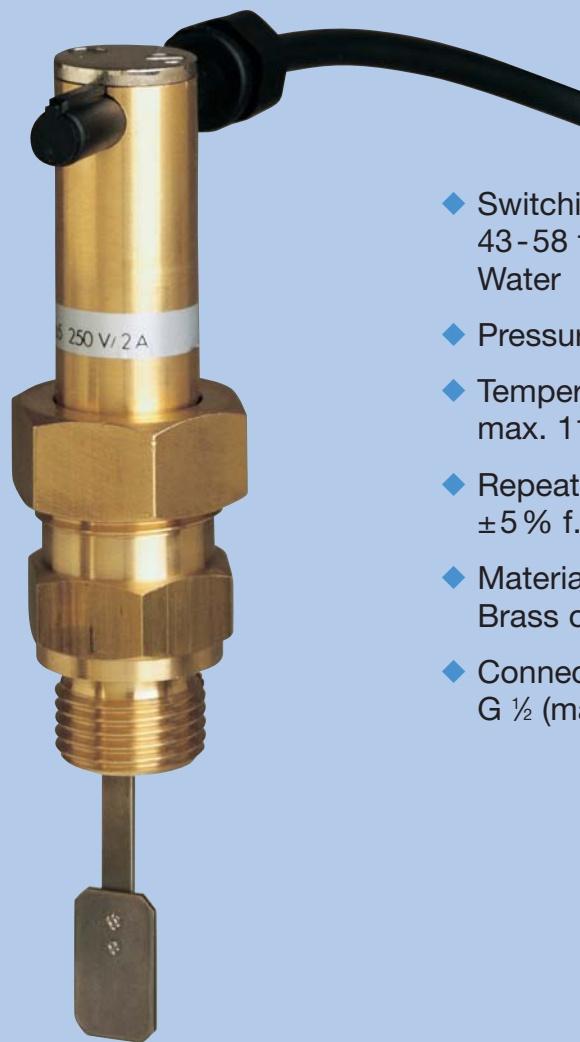


## Paddle Type Flow Monitor Model FE



- ◆ Switching Range:  
43-58 to 667-900 L/min  
Water
- ◆ Pressure: max. 100 bar
- ◆ Temperature:  
max. 110°C
- ◆ Repeatability:  
±5 % f. s.
- ◆ Material:  
Brass or Stainless Steel
- ◆ Connection:  
G ½ (male)

**Cost Effective  
Measurement Technology**

INTERIN GmbH  
Nordring 24  
D-65719 Hofheim/Ts.  
Tel: +49 (0)6192 958 612-70  
Fax: +49 (0)6192 958 612-99  
E-Mail: [info@interin.de](mailto:info@interin.de)  
Internet: [www.interin.de](http://www.interin.de)

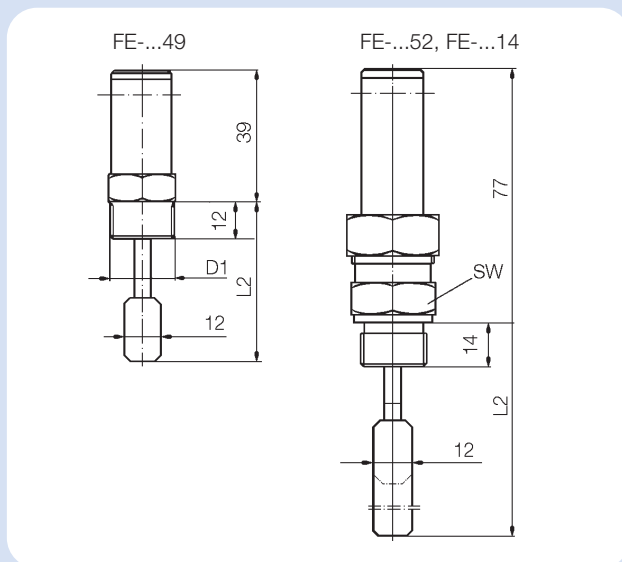
# Paddle Type Flow Monitor Model FE

No responsibility taken for errors; subject to change without prior notice. 08 / 2007

## Description

The INTERIN flow monitors of model FE work on paddle-switch principle. On one end of a horizontal beam rests a paddle, on the other end a magnet. Depending upon the flow velocity, the paddle is moved and deflects the magnet across the response range of the reed contact, which is hermetically sealed from the medium. The mounting of the unit requires a G 1/2 T-connector.

## Dimensions



Model	HEX	D1	L2 (mm)
FE-..49	27	G 1/2	49
FE-..52	27	G 1/2	52
FE-..14	27	G 1/2	114

## Technical Details

Housing:	FE-11...: Brass, Ms 58 FE-12...: Stainless steel, 1.4301
Connections:	FE-11...: Brass, Ms 58 FE-12...: Stainless steel, 1.4301
Paddle:	Stainless steel, 1.4301
Spring:	Stainless steel, 1.4310
Horizontal beam:	Stainless steel, 1.4310
Magnet:	Ceramic-oxide
Sleeve:	FE-11...: Brass, Ms 58 FE-12...: Stainless steel, 1.4301
Sealing:	FE-11...: NBR FE-12...: FPM
Contact housing:	glass-fiber reinforced Polyamide
Max. temperature:	110°C
Max. pressure:	100 bar
Mounting position:	Horizontal Guide-pipe (recommended) or vertical, with inflow from below (small deviations from switching points result). FE 1114 and FE 1214 only for horizontal Guide-pipe.
Contact type:	1 N/C-N/O contact
Electr. connection:	1.5 m PVC cable
Switching power:	max. 230 V <sub>DC/AC</sub> max. 40 VA/W, max. 2 A
Repeatability:	±5% f. s.

## Applications

- ◆ Boilers
- ◆ Sprinkle equipment
- ◆ Cooling circuits
- ◆ Irrigation systems
- ◆ Air-conditioning equipment
- ◆ Pump-status monitoring
- ◆ Compressors
- ◆ Washing equipment

## Order Details (Example: FE-1149)

Flow Rate rising L/min H <sub>2</sub> O	Flow Rate falling L/min H <sub>2</sub> O	Pipe Diameter (mm)	Connection male	Brass Version Order No.	Stainless Steel Version Order No.
68 - 90	61 - 83	50	G 1/2	FE-1149	FE-1249
183 - 250	170 - 233	80			
320 - 400	300 - 383	100			
700 - 917	667 - 900	150			
50 - 62	43 - 58	50	G 1/2	FE-1152	FE-1252
155 - 183	143 - 167	80			
217 - 267	200 - 250	100			
558 - 600	517 - 592	150			
92 - 113	70 - 103	100	G 1/2	FE-1114	FE-1214
200 - 283	167 - 233	150			
383 - 533	333 - 467	200			