

Rotating Vane Flow Meter Model FH



- ◆ Measuring Ranges:
0.05...0.6 to 1.0...12 L/min
Water
- ◆ Measuring Accuracy:
± 2 % f. s.
- ◆ Pressure: max. 30 bar
- ◆ Temperature:
max. 80 °C (140 °C upon request)
- ◆ Connection: G ¼
- ◆ Housing material:
Stainless steel

**Cost Effective
Measurement Technology**

INTERIN GmbH
Nordring 24
D-65719 Hofheim/Ts.
Tel: +49 (0)6192 958 612-70
Fax: +49 (0)6192 958 612-99
E-Mail: info@interin.de
Internet: www.interin.de

Rotating Vane Flow Meter Model FH

No responsibility taken for errors; subject to change without prior notice. 08 / 2007

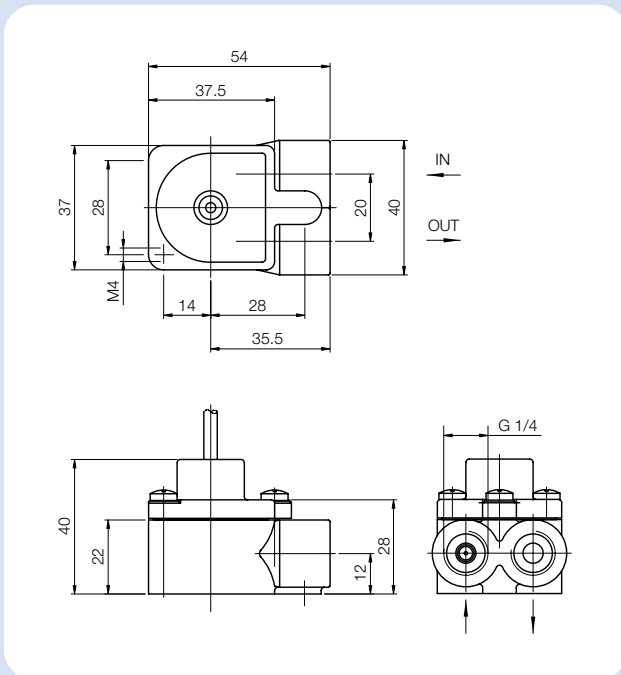
Description

The INTERIN flow meters model FH are used to measure and monitor liquids of low viscosity. Its compact design allows it to be used in equipment where space is at a premium.

The medium flows through a specially shaped flow housing and causes a vane to rotate. Two magnets in paddle wheel provide electrical pulses in Hall sensor. The frequency is directly proportional to the flow velocity. The evaluating electronic uses these signals for measurement, monitoring and butching.



Dimensions



Technical Details

Housing:	Stainless steel, 1.3955
Connection:	G 1/4 female
Orifixe/Axle:	Stainless steel, 1.4404
Rotating vane:	PVDF
Gasket:	FPM
Max. temperature:	-15 ... +80 °C (+140 °C special version)
Max. pressure:	30 bar
Linearity:	± 1% f. s.
Meas. accuracy:	± 2% f. s.
Installation position:	horizontal
Power supply:	4 - 24 V _{DC}
Current input:	typ. 5 mA
Pulse output:	NPN, max. 20 mA, open collector
Electr. connection:	1.5 m PVC cable
Protection type:	IP 65

Areas of Application

- ◆ Low viscosity liquids
- ◆ Non conductive liquids
- ◆ Volume dosing with external electronics
- ◆ Laundry machines
- ◆ PCB manufacture machines
- ◆ Agricultural machinery

Order Details (Example: FH-1205)

Measuring range [L/min]	Orifice Ø [mm]	Frequency at F. S.	Pressure loss at F. S.	Rotating Vane Flow Meter FH Order No.
0.05 - 0.6	1.0	21 Hz	1.0 bar	FH-1205
0.1 - 1.3	1.5	30 Hz	1.0 bar	FH-1210
0.2 - 2.0	1.8	36 Hz	1.1 bar	FH-1215
0.3 - 3.5	2.5	41 Hz	0.9 bar	FH-1220
0.3 - 5.0	3.0	47 Hz	0.9 bar	FH-1225
0.5 - 7.0	3.5	51 Hz	1.0 bar	FH-1230
0.5 - 10.0	5.0	56 Hz	1.0 bar	FH-1235
1.0 - 12.0	6.0	44 Hz	0.9 bar	FH-1240