

Plastic Flow Meter Model FM



- ◆ Measuring range:
15-150 to 1200-12 000 L/h Water
- ◆ Pressure:
max. 16 bar
- ◆ Temperature:
max. 100 °C
- ◆ Accuracy:
±4 % f. s.
- ◆ Material:
Polysulfone or
Trogamide-T
- ◆ Connection:
G 1 ½ ... G 2 ¾
Glue-in connection
DN 25 ... DN 50

**Cost Effective
Measurement Technology**

INTERIN GmbH
Nordring 24
D-65719 Hofheim/Ts.
Tel: +49 (0)6192 958 612-70
Fax: +49 (0)6192 958 612-99
E-Mail: info@interin.de
Internet: www.interin.de

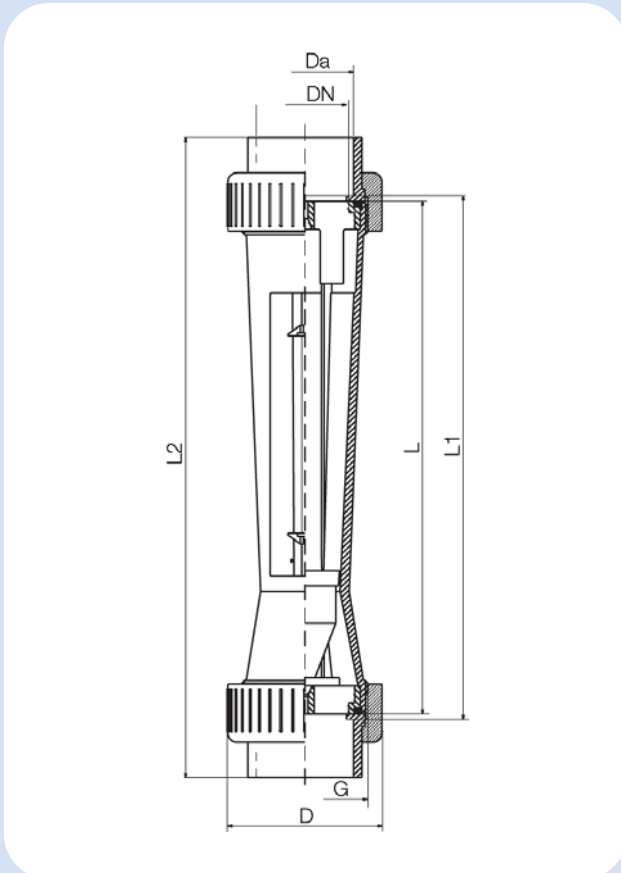
Plastic Flow Meter Model FM

No responsibility taken for errors; subject to change without prior notice. 08 / 2007

Description

The INTERIN plastic flow meters of model FM are based on the well known suspended float principle. All the parts in contact with media are made of synthetic material. The units, thus may be employed where aggressive media are flowing. The flow meter FM has been realised for usage with synthetic pipes.

Dimensions



Technical Details

Housing:	FM-15...: Trogamide-T FM-14...: Polysulfone
Connections:	G 1 1/2... G 2 3/4 depending on the size
Float:	PVDF
Seals:	EPDM
Max. temperature:	FM-15...: 60°C FM-14...: 100°C (with glue-on connection: 60°C)
Max. pressure:	PN 16
Accuracy:	± 4% f. s. (class 4 acc. to VDE/VDI 3513, sheet 2)
Repeatability:	≤ 1%

Applications

- ◆ Cooling circuits
- ◆ Water treatment
- ◆ Plant engineering

Model	DA (mm)	L (mm)	L1 (mm)	L2 (mm)	D (mm)
FM-1x05	32	335	341	385	60
FM-1x10	32	335	341	385	60
FM-1x15	32	335	341	385	60
FM-1x20	50	335	341	403	83
FM-1x25	50	335	341	403	83
FM-1x30	63	335	341	417	103
FM-1x35	63	335	341	417	103

Order Details (Example: FM-1505)

Measuring Range L/h H ₂ O	Connection DN with (without) Glue-in con.	Pressure Loss (mbar) at Q _{nenn}	Trogamide Version	Polysulfone Version
			Order No.	Order No.
15...150	DN 25 (G 1 1/2)	19	FM-1505	FM-1405
50...500	DN 25 (G 1 1/2)	19	FM-1510	FM-1410
100...1000	DN 25 (G 1 1/2)	19	FM-1515	FM-1415
200...2000	DN 40 (G 2 1/4)	26	FM-1520	FM-1420
300...3000	DN 40 (G 2 1/4)	26	FM-1525	FM-1425
600...6000	DN 50 (G 2 3/4)	26	FM-1530	FM-1430
1200...12000	DN 50 (G 2 3/4)	26	FM-1535	FM-1435