

Paddle Type Flow Monitor Model FP



- ◆ Switching Range:
1.6-4.6 to 23.5-53.1 L/min
Water
- ◆ Pressure: max. 100 bar
- ◆ Temperature:
max. 110°C
- ◆ Repeatability:
±5 % f. s.
- ◆ Material:
Brass or Stainless Steel
- ◆ Connection:
G ¼... G 1 ½ (female)

**Cost Effective
Measurement Technology**

INTERIN GmbH
Nordring 24
D-65719 Hofheim/Ts.
Tel: +49 (0)6192 958 612-70
Fax: +49 (0)6192 958 612-99
E-Mail: info@interin.de
Internet: www.interin.de

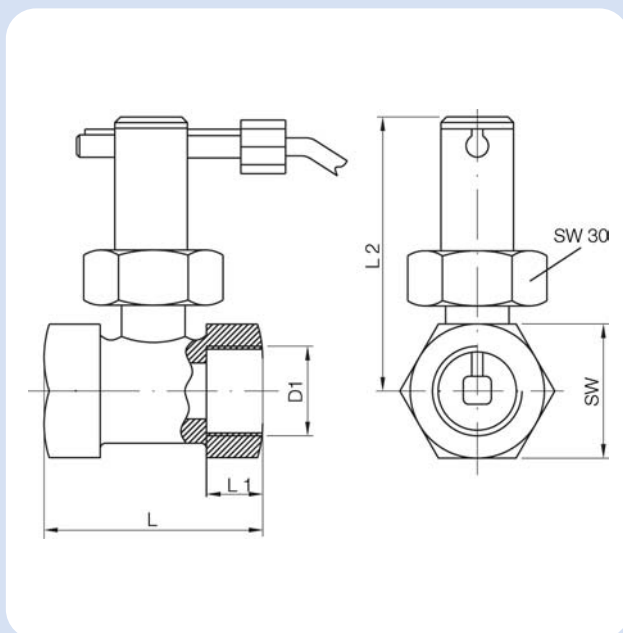
Paddle Type Flow Monitor Model FP

No responsibility taken for errors; subject to change without prior notice. 08 / 2007

Description

The INTERIN flow monitors of model FP work on paddle-switch principle. On one end of a horizontal beam rests a paddle, on the other end a magnet. Depending upon the flow velocity, the paddle is moved and deflects the magnet across the response range of the reed contact. The reed contact is built inside a glass-fiber synthetic sleeve and is hermetically sealed from the medium.

Dimensions



Applications

- ◆ Boilers
- ◆ Sprinkle-equipment
- ◆ Cooling circuits
- ◆ Irrigation systems
- ◆ Air-conditioning equipment
- ◆ Pump-status monitoring
- ◆ Compressors
- ◆ Washing equipment

Technical Details

Housing:	FP-11...: Brass, Ms 58 FP-12...: Stainless steel, 1.4301
Connections:	FP-11...: Brass, Ms 58 FP-12...: Stainless steel, 1.4301
Paddle:	Stainless steel, 1.4301
Spring:	Stainless steel, 1.4310
Horizontal beam:	Stainless steel, 1.4310
Magnet:	Ceramic-oxide
Sleeves/clamp plate:	FP-11...: Brass, Ms 58 FP-12...: Stainless steel, 1.4301
Sealing:	FP-11...: NBR FP-12...: FPM
Contact housing:	glass-fiber reinforced Polyamide
Max. temperature:	+110°C
Max. pressure:	100 bar FP-1132 and FP-1140: 25 bar
Mounting position:	horizontal (recommended) or vertical with inflow from below (small deviation of switching point occurs).
Contact type:	1 N/C-N/O contact
Electr. connection:	1.5 m PVC-cable
Switching power:	max. 230 V _{AC/DC} max. 40 VA/W, max. 2 A
Repeatability:	±5% f. s.

Model	HEX	D1	L (mm)	L1 (mm)	L2 (mm)
FP-..05	27	G 1/4	50	10	80
FP-..10	27	G 3/8	50	10	80
FP-..15	27	G 1/2	50	10	80
FP-..20	32	G 3/4	52	15	81,5
FP-..25	39	G 1	56	15	84
FP-..32	46	G 1 1/4	50	15	112
FP-..40	55	G 1 1/2	50	15	119

Order Details (Example: FP-1205)

Flow Rate falling L/min H ₂ O	Flow Rate rising L/min H ₂ O	Connection female	Brass Version Order No.	Stainless Steel Version Order No.
1.6 - 4.6	2.3 - 4.7	G 1/4	FP-1105	FP-1205
2.3 - 5.5	2.8 - 6.0	G 3/8	FP-1110	FP-1210
1.9 - 6.3	2.5 - 6.4	G 1/2	FP-1115	FP-1215
5.9 - 13	7.7 - 13.4	G 3/4	FP-1120	FP-1220
7.3 - 17.2	7.4 - 18.2	G 1	FP-1125	FP-1125
20.0 - 32.4	19.7 - 36.8	G 1 1/4	FP-1132	FP-1232
23.5 - 53.1	23.1 - 57.9	G 1 1/2	FP-1140	FP-1240