

Viscosity-Compensated Flow Meter/Monitor Model FT



- ◆ Measuring Range:
0.1 - 0.45 to 5 - 80 L/min Oil
- ◆ Viscosity Range:
30 - 540 mm²/s
- ◆ Pressure: max. 12 bar
- ◆ Temperature: max. 100 °C
- ◆ Accuracy: ±5 % f. s.
- ◆ Material:
Brass or Stainless Steel
- ◆ Connection:
G ¼... G 1 (female)

**Cost Effective
Measurement Technology**

INTERIN GmbH
Nordring 24
D-65719 Hofheim/Ts.
Tel: +49 (0)6192 958 612 - 70
Fax: +49 (0)6192 958 612 - 99
E-Mail: info@interin.de
Internet: www.interin.de

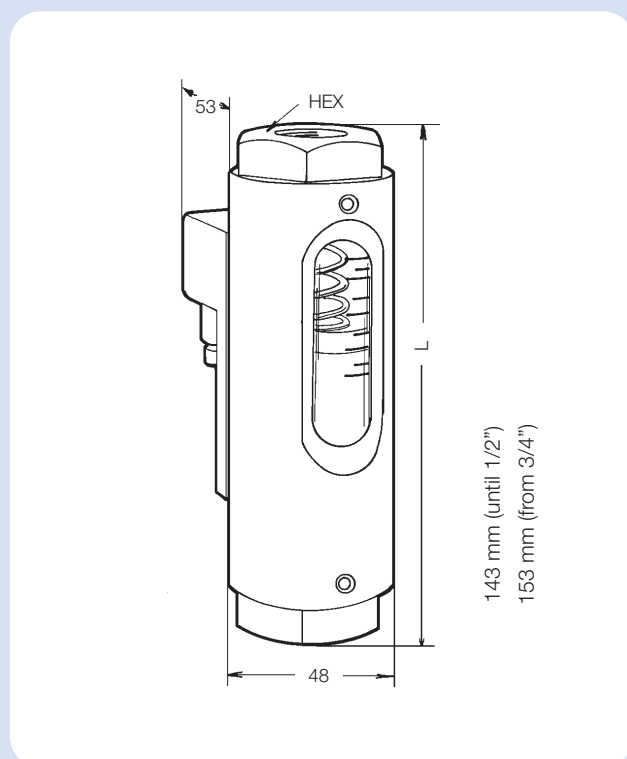
Viscosity-Compensated Flow Meter/Monitor Model FT

No responsibility taken for errors; subject to change without prior notice. 058/ 2007

Description

The INTERIN flow meters/monitors of model FT have been developed for measurement and monitoring of viscous flow. They employ a special float principle, with cylindrical measuring-pipe, orifice and spring-loaded suspended-float. This guarantees an on-going viscous compensation within 30 to 540 mm²/s. All of these units work independent of position. The recommended position, however, is vertical, with flow-direction from below to upwards.

Dimensions



Technical Details

Housing:	Aluminium, anodized (not media-contacted)
Connections:	FT-31...: Brass, Ms 58, nickel-plated FT-32...: Stainless steel 1.4301
Float:	FT-31...: Brass, Ms 58 FT-32...: Stainless steel 1.4301
Orifice:	Stainless steel 1.4310
Spring:	Stainless steel 1.4310
Magnet:	Ceramic-oxide
Sealing:	FT-31...: NBR FT-32...: FPM
Max. temperature:	+100 °C
Max. pressure:	12 bar
Mounting position:	vertical or horizontal
Contact type:	1 N/O contact, adjustable from 10-90 % f. s.
Electr. connection:	Plug connector acc. to DIN 43 650 N/O contact: 2-pole
Switch capacity:	max. 240 V _{AC} / max. 100 VA / max. 1.5 A
Accuracy:	±5 % f. s. (at a viscosity of 105 mm ² /s)
Measuring error with change in viscosity:	With a change in viscosity within 30...540 mm ² /s the additional deviation amounts up to max. ±4 % f. s.
Repeatability:	≤ 1 %
Viscosity Range:	30... 540 mm ² /s

Applications

- ◆ Lubrication circuits
- ◆ Paper manufacturing
- ◆ Machine-tools
- ◆ Hydraulics
- ◆ Extraction machines
- ◆ Printing machines

Order Details (Example: FT-3100 G2)

Measuring Range L/min Oil	Connection* female	Flow Meter/Monitor Brass Order No.	Flow Meter/Monitor St. Steel Order No.
0.1 - 0.45	G 1/4	FT-3100	FT-3200
0.2 - 1.2	G 1/4 or G 1/2	FT-3101	FT-3201
0.4 - 2.0	G 1/4 or G 1/2	FT-3102	FT-3202
0.6 - 3.4	G 1/4 or G 1/2	FT-3103	FT-3203
2.0 - 8.0	G 1/4 or G 1/2	FT-3108	FT-3208
3.0 - 15	G 1/2 or G 3/4	FT-3115	FT-3215
4.0 - 20	G 1/2 or G 3/4	FT-3120	FT-3220
5.0 - 55	G 3/4 or G 1	FT-3155	FT-3255
2.5 - 70	G 3/4 or G 1	FT-3170	FT-3270
5.0 - 80	G 1	FT-3180	FT-3280

*Please add the appropriate **Connection code (G2=G 1/4;
G4=G 1/2; G5=G 3/4; G6=G 1)** at the end of Order No.