

Variable Area Flow Monitor Model FW



- ◆ Switching Range:
0.05-1 ... 3.5-50 L/min Water
- ◆ Pressure: max. 350 bar
- ◆ Temperature: max. 100°C
- ◆ Accuracy:
±5% f. s.
- ◆ Material:
Brass or Stainless Steel
- ◆ Connection:
G ¼ ... G 1 (female)

**Cost Effective
Measurement Technology**

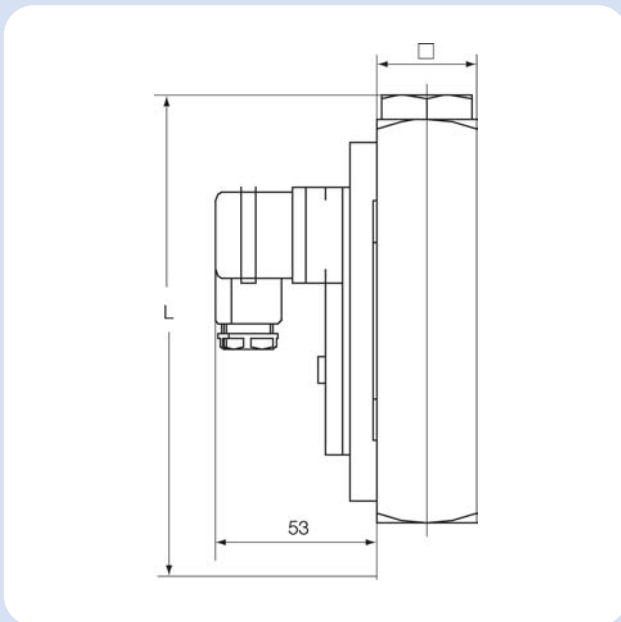
INTERIN GmbH
Nordring 24
D-65719 Hofheim/Ts.
Tel: +49 (0)6192 958 612-70
Fax: +49 (0)6192 958 612-99
E-Mail: info@interin.de
Internet: www.interin.de

Variable Area Flow Monitor Model FW

No responsibility taken for errors; subject to change without prior notice. 08 / 2007

Description

The INTERIN flow monitors of model FW work on float-principle. However, they do not employ an extended conical measuring-tube. Instead, a cylindrical float is used along with a conically-slotted nozzle. This technique permits a compact construction of the device and offers considerable advantages in performance.



Applications

- ◆ Lubricant circuits
- ◆ Paper manufacturing
- ◆ Machine-tools
- ◆ Glass-melting tanks
- ◆ Cooling circuits
- ◆ Welding machines
- ◆ Induction furnaces
- ◆ Pumps

Technical Details

Housing:	FW-11.. : Brass, Ms 58, nickel-plated FW-12.. : Stainless steel, 1.4301
Connections:	FW-11.. : Brass, Ms 58, nickel-plated FW-12.. : Stainless steel, 1.4301
Float:	FW-11.. : Brass, Ms 58, nickel-plated (FW-1101: PP) FW-12.. : Stainless steel, 1.4301 (FW-1201: PVDF)
Nozzle:	FW-11.. : Brass, Ms 58, nickel-plated FW-12.. : Stainless steel, 1.3955
Sealing:	FW-11.. : NBR FW-12.. : FPM
Max. temperature:	100 °C, FW-xx01: 70 °C
Max. pressure:	FW-11.. : 250 bar FW-12.. : 350 bar FW-xx01: 16 bar
Mounting position:	vertical, flow rate from below
Contact type:	1 N/O contact adjustable from 10-90 % of F.S.
Electr. connection:	plug acc. DIN 43 650 N/O contact: 2-pole
Switching capacity:	max. 240 V _{AC} / max. 100 VA / max. 1.5 A
Accuracy:	± 5 % f. s.
Repeatability:	≤ 1 %

Model	Square (mm)	Thread G	L (mm)	Weight (kg)
FW-..01	30x30	1/4 (1/2)	132	0.9
FW-..02	30x30	1/4 (1/2)	132	0.9
FW-..04	30x30	1/4 (1/2)	132	0.9
FW-..07	30x30	1/4 (1/2)	132	0.9
FW-..09	30x30	1/4 (1/2)	132	0.9
FW-..14	30x30	1/4 (1/2)	132	0.9
FW-..20	30x30	1/4 (1/2)	132	0.9
FW-..50	40x40	3/4 (1)	156	1.7

Order Details (Example: FW-1101)

Meas. Range L/min H ₂ O	Connection* female	Pressure Loss (bar) at Q _{nenn} *	Brass Version Order No.	Stainless Steel Version Order No.
0.05 - 1	G 1/4 or G 1/2	0.02	FW-1101	FW-1201
0.15 - 1.7	G 1/4 or G 1/2	0.04	FW-1102	FW-1202
1 - 4.5	G 1/4 or G 1/2	0.04	FW-1104	FW-1204
1 - 7	G 1/4 or G 1/2	0.11	FW-1107	FW-1207
1 - 9	G 1/4 or G 1/2	0.12	FW-1109	FW-1209
2 - 14	G 1/4 or G 1/2	0.18	FW-1114	FW-1214
2.5 - 20	G 1/4 or G 1/2	0.06	FW-1120	FW-1220
3.5 - 50	G 3/4 or G 1	0.4	FW-1150	FW-1250

*Please add the appropriate **Connection code (G2=G 1/4; G4=G 1/2; G5=G 3/4; G6=G 1)** at the end of Order No.