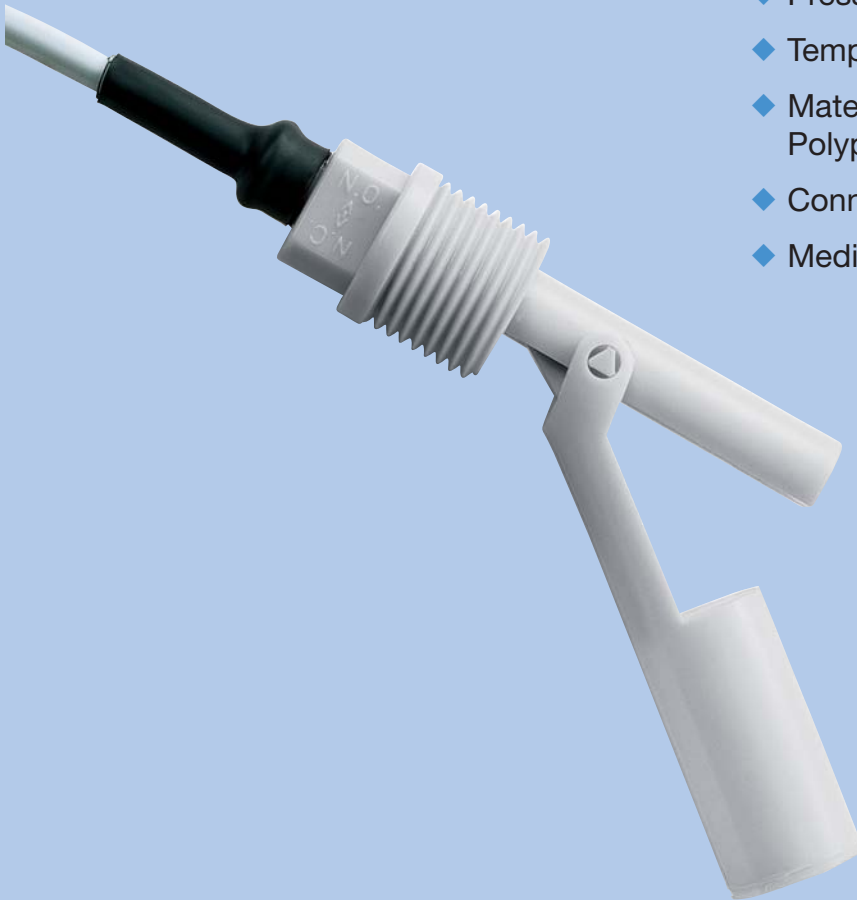


Level Switch Model LN



- ◆ Pressure: max. 10 bar
- ◆ Temperature: max. 100°C
- ◆ Material:
Polypropylene or PVDF
- ◆ Connection: G ½
- ◆ Medium Density min. 0.6 g/cm³

**Cost Effective
Measurement Technology**

INTERIN GmbH
Nordring 24
D-65719 Hofheim/Ts.
Tel: +49 (0)6192 958 612-70
Fax: +49 (0)6192 958 612-99
E-Mail: info@interin.de
Internet: www.interin.de

Level Switch

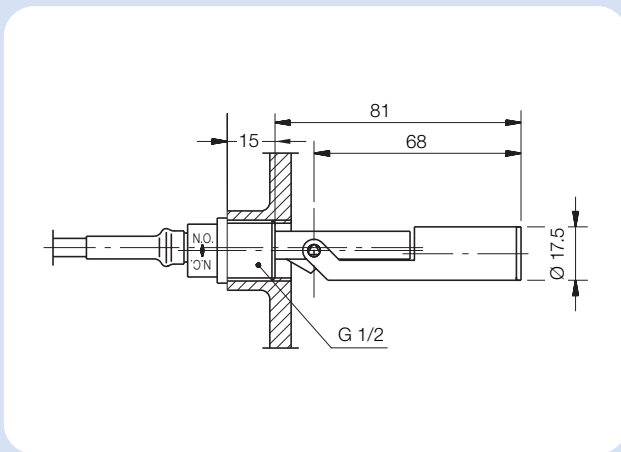
Model LN

No responsibility taken for errors; subject to change without prior notice. 08 / 2007

Description

The INTERIN level switch of model LN is designed for economical control of liquids in vessels. Many industrial applications can be realized with two different plastic versions, each with three different mountings. The switch is remarkable for its maintenance-free design, small dimensions and reed contacts with high switch capacity. The switch is mounted on the side of the vessel. A hinged plastic float with a magnet floats up and down through the liquid level. The encapsulated reed contact is operated by the magnet. The switching function (N/O contact / N/C contact) is determined by the installation position. The switching function is reversed by simply rotating the switch through 180°.

Dimensions

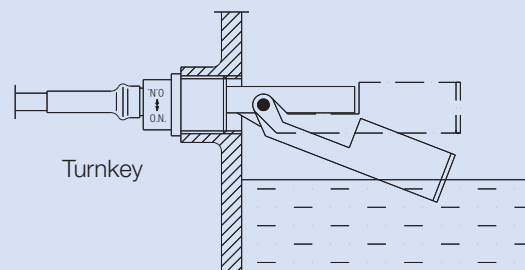
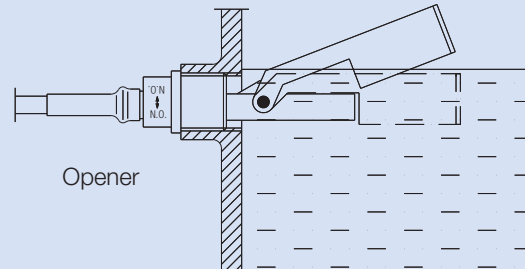


Applications

- ◆ Auto-wash machines
- ◆ Cleaning machines
- ◆ Plastic tanks

Technical Details

- Switch housing: LN-16...: Polypropylene
LN-19...: PVDF
- Connection: G 1/2
- Float: LN-16...: Polypropylene
LN-19...: PVDF
- Max. temperature: LN-16...: 80 °C
LN-19...: 100 °C
- Max. pressure: 10 bar
- Installation position: horizontal (± 30° from the horizontal plane)
- Contact type: N/O or N/C contact (depending on the installation)
- Electr. connection: PVC cable, 1 m
- Switch capacity: max. 230 V_{AC/DC} / max. 40 VA/W / max. 2 A
- Medium density: LN-16...: > 0.6 g/cm³
LN-19...: > 0.95 g/cm³
- Protection type: IP 68



Order Details (Example: LN-1601)

Connection male	Polypropylene version		PVDF Version
	Order No.		Order No.
G 1/2	LN-1601		LN-1901